



**Electrolux**  
PROFESSIONAL

**Modular Cooking Range Line  
thermaline 80 - 900 mm Open  
base, 1 Side (H2) - H=550**

ITEM # \_\_\_\_\_

MODEL # \_\_\_\_\_

NAME # \_\_\_\_\_

SIS # \_\_\_\_\_

AIA # \_\_\_\_\_



588216 (MA1ADAIOOO)

Open Base, one-side  
operated - H2

**Short Form Specification**

Item No. \_\_\_\_\_

900 mm wide open base compartment to store pots, pans, sheet pans, etc. with hygienic design and round edges. Internal frame for heavy duty sturdiness in stainless steel. Flat surface construction, easily cleanable.

IPX5 water resistant certification.

Configuration: One-side operated freestanding base, hygienic class H2.

**Main Features**

- Open base compartment for storage of pots, pans, sheet pans, etc.
- All major components may be easily accessed from the front.
- Unit to be placed below modular top appliances to store pots, pans, sheet pans, etc.

**Construction**

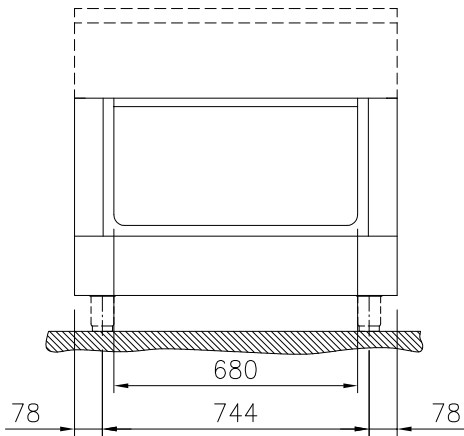
- IPX5 water resistance certification.
- Hygienic design of the open base compartment with large round edges.
- 2 mm top in 1.4301 (AISI 304).
- Flat surface construction with minimal hidden areas to easily clean all surfaces
- Internal frame for heavy duty sturdiness in stainless steel.

APPROVAL: \_\_\_\_\_

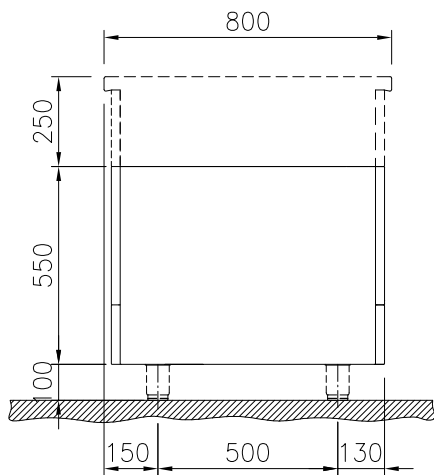


Experience the Excellence  
[www.electroluxprofessional.com](http://www.electroluxprofessional.com)

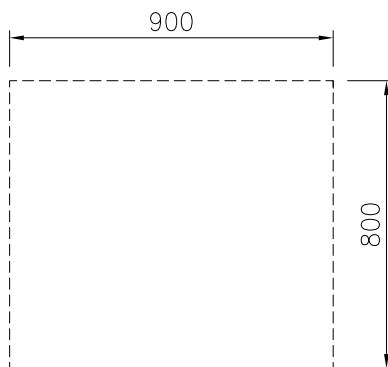
Front



Side



Top


**Key Information:**

External dimensions, Width:	
588216 (MA1ADA1000)	900 mm
External dimensions, Depth:	800 mm
External dimensions, Height:	550 mm
Cupboard Cavity Dimensions (width):	680 mm
Cupboard Cavity Dimensions (height):	330 mm
Cupboard Cavity Dimensions (depth):	740 mm
Net weight:	23 kg

### Optional Accessories

- Stainless steel side panel, 800x800mm, freestanding PNC 912508
  - Stainless steel front kicking strip, 900mm width PNC 912599
  - Stainless steel side kicking strips left and right, freestanding, 800mm width PNC 912619
  - Stainless steel side kicking strips left and right, against the wall, 800mm width PNC 912622
  - Stainless steel side kicking strips left and right, back-to-back, 1610mm width PNC 912625
  - Stainless steel plinth, against wall, 900mm width PNC 912807
  - Stainless steel plinth, freestanding, 900mm width PNC 912826
  - Stainless steel panel, 800x800mm, against wall, left side PNC 913094
  - Stainless steel panel, 800x800mm, flush-fitting, against wall, right side PNC 913098
  - Back panel, 900x450mm, for bases one-side operated PNC 913183
  - Stainless steel side panel, left, h=800 PNC 913216
  - Stainless steel side panel, right, h=800 PNC 913217
  - Perforated shelf for warming cabinets and cupboard bases (one-side operated TL80-85-90 and two-side operated for TL80) PNC 913235
  - Side reinforced panel only in combination with side shelf, for freestanding units PNC 913257
  - Side reinforced panel only in combination with side shelf for against the wall installations, left PNC 913264
  - Side reinforced panel only in combination with side shelf, for against the wall installations, right PNC 913266
  - Side reinforced panel only in combination with side shelf, for back-to-back installations, left PNC 913273
  - Side reinforced panel only in combination with side shelf, for back-to-back installation, right PNC 913274
  - Shelf fixation for TL80-85-90 one-side operated, TL80 two-side operated PNC 913283
  - Stainless steel dividing panel, 800x800mm, (it should only be used between Electrolux Professional thermaline Modular 80 and thermaline C80) PNC 913669
- Stainless steel side panel, 800x800mm, flush-fitting (it should only be used against the wall, against a niche and in between Electrolux Professional thermaline and ProThermetic appliances and external appliances - provided that these have at least the same dimensions) PNC 913685